

# Loft Ladder

The Keylite Loft Ladder is designed to ensure simple, fast installation.

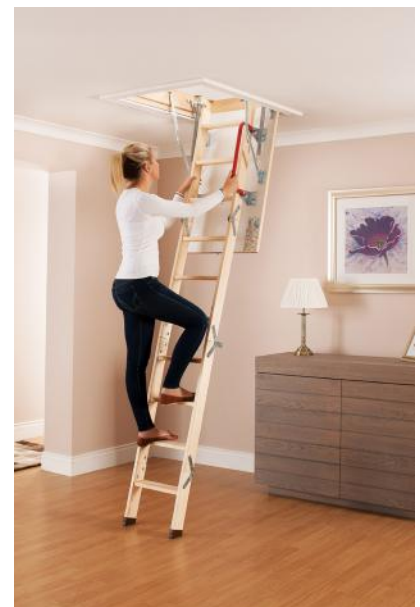
## Features

- ▶ **Flick-Fit Brackets** – All Keylite Loft Ladders are manufactured with our unique patented flick fit brackets that are pre-installed to the Loft Ladder frame. These brackets enable an installation from below the loft while also facilitating a one-person installation.
- ▶ **Installation** – Keylite provide all necessary fixtures and fittings required to install our Loft Ladder including two Support Laths. These laths are designed to hold the ladder in place until the installer can safely get in position to complete the installation process.
- ▶ **Detachable Ladder** – The Keylite Loft Ladder can be removed from the trap door to reduce the weight of the overall unit in order to make the installation process as quick and as easy as possible.
- ▶ **Controlled Dismount** – The incredibly durable hinges used between the segments of the loft ladder offer increased safety and peace of mind when opening the trapdoor that the ladder will not drop independently on the person below.
- ▶ **Continuous Seal** – Keylite Loft Ladders have incorporated a continuous seal around the trap door which reduces Heat Loss and improves the overall Air Tightness of the product.
- ▶ **Pre-Fitted Handrail** - Located to the right hand side of the ladder, the handrail offers added safety when using the ladder.
- ▶ **Insulated Trapdoor** – The white 36mm thick Insulated Trapdoor is supplied as standard on all Keylite Loft Ladders and boasts an impressive U-Value of 1.1 W/m<sup>2</sup>K
- ▶ **Recessed Locking** – Keylite Loft Ladders are provided with a recessed locking system installed within the trapdoor for increased aesthetics and improved safety.
- ▶ **Slip Resistant Treads** - The profile of the rungs on a Keylite Loft Ladder include a series of built in slip resistant treads to offer increased safety and assurance to the user when accessing and egressing the ladder.
- ▶ **Dovetail Joints** - All of the rungs on a Keylite Loft Ladder feature Dovetail joints at the intersect with the Ladder rails for increased tensile strength and allow the maximum weight capacity of the ladder to reach, but not exceed 160Kg.
- ▶ **Protective Feet** – Every one of the Keylite Loft Ladders are provided with a pair of protective feet for the ends of the rails. These protective feet act to combat the scratches to laminate floors and tiles that can occur when the feet are not applied and the exposed timber continually rubs along the surface of the floor.
- ▶ **Air Tightness** – All of the Keylite loft ladders are draught proof and have obtained the highest classification possible on these products, Class 4.
- ▶ **Approved** – Keylite have invested in their products in order to gain the relevant certification and accreditations from national and European bodies. The Keylite Loft Ladder is no different and is fully certified to EN 14975.



## Application

- ▶ Keylite recommend installing the Loft Ladder so that the frame bottom is placed flush with the underside of the finished ceiling.
- ▶ When the ladder is fully extended you must ensure that the distance from the frame bottom to the finished floor bottom does not exceed 2.8m on a KYL 01-02, KYL 04-05 and KYL 07-08 and 3.2m on a KYL 03, KYL 06 and KYL 09. Similarly the rear of the ladder must
- ▶ be installed a minimum of 1.65m from any vertical surfaces such as walls and doors.
- ▶ Finally Keylite recommend that the Loft Ladders are not installed close to a stairwell.



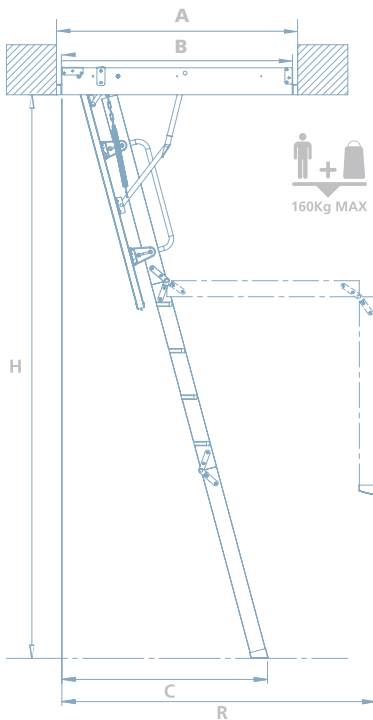
**Note:** Keylite Loft Ladders are not intended to be used as an alternative and/or substitute for traditional stairs in order to access loft converted areas.

## Technical Details

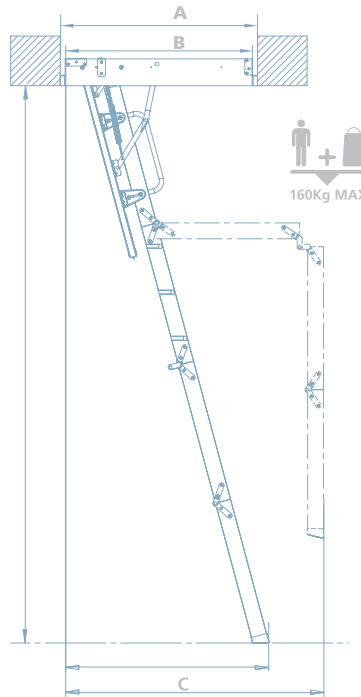
Keylite Product Code	KYL01	KYL02	KYL03	KYL04	KYL05	KYL06	KYL07	KYL08	KYL09
A Ceiling opening dimension (mm)	550 x 1000	550 x 1200	550 x 1200	600 x 1000	600 x 1200	600 x 1200	700 x 1000	700 x 1200	700 x 1200
B Frame external dimension (mm)	530 x 940	530 x 1140	530 x 1140	580 x 940	580 x 1140	580 x 1140	680 x 940	680 x 1140	680 x 1140
Number of ladder sections	4	3	4	4	3	4	4	3	4
C Distance from rear of frame to extended ladder rail (mm)	1025	1025	1145	1025	1025	1145	1025	1025	1145
R Distance from rear of frame to maximum protrusion (mm)	1300	1565	1605	1300	1565	1605	1300	1565	1605
H Maximum height (mm)	2800	2800	3200	2800	2800	3200	2800	2800	3200

\*Please note additional sizes may be available upon request. For further information please contact the Keylite Technical Department.

## Cross Sections



**3 SEGMENT LADDERS**



**4 SEGMENT LADDERS**

## Operation

- ▶ The Keylite Loft Ladder is operated manually as standard by releasing the latch using the opening pole provided, pulling downwards to release and folding the respective segments of the ladder out and in to place.

## Guarantee

- ▶ 3 Years - Keylite's hassle free guarantee on Loft Ladders and their components.

### UK

Ryder Close, Cadley Hill Industrial Estate,  
Swadlincote, South Derbyshire, DE11 9EU  
T: +44 (0) 1283 200 150  
E: info@keyliteuk.com

### NI & ROI

Derryloran Industrial Est. Sandholes Road,  
Cookstown, Co. Tyrone, BT80 9LU  
T: +44 (0) 28 8675 8921  
E: info@keylite.co.uk