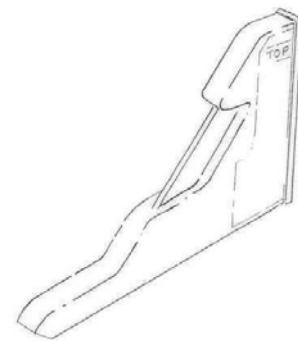
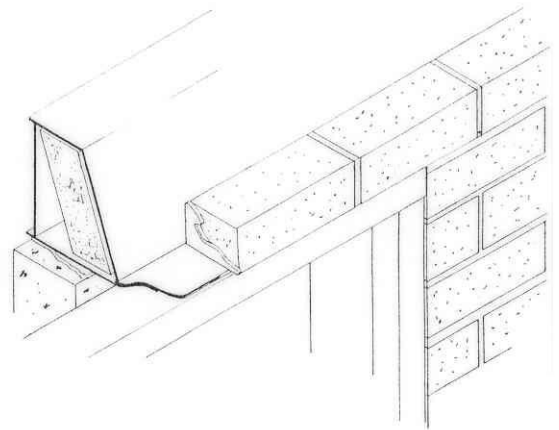
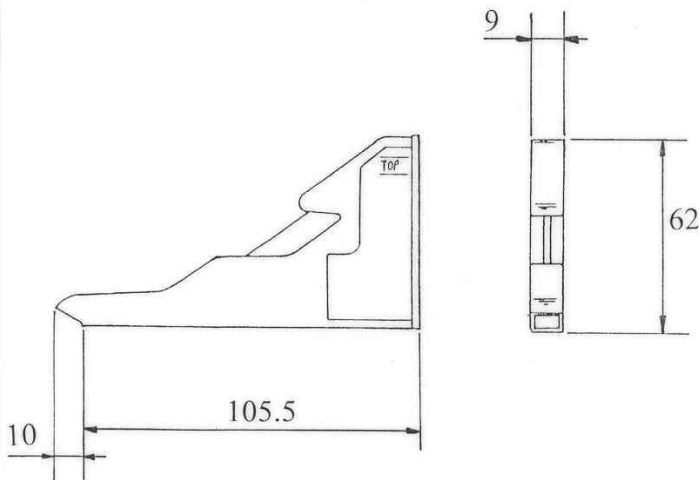


Peep Weep

CODE **G951**



Description:

The G951 Peep Weep provides an unobtrusive solution to cavity wall drainage requirements. The weep features a mortar key to ensure adhesion to the building fabric and an external rib to aid positioning.

The rib surrounds a 62mm high opening to prevent mortar blockage from within the cavity.

The weep's protective hood which when fitted "peeps" out from the brick fascia is designed to guard against blockage during installation and stops penetration of wind driven rain.

The exit hole is ample for water drainage but small enough to prevent entry of large insects.

Fitting Instructions:

The G951 Peep Weep should be simply fitted in open perp joints and mortared in position leaving approximately 10mm protruding from the brick face as shown.

The Peep Weep should be spaced at no greater than 900mm centres but to meet N.H.B.C guidelines "weep holes are recommended to be sited at every 450mm maximum with at least two per opening above all windows and doors"

COLOURS	Terracotta, Buff, Clear, Blue/Black, Brown
PACKING DETAILS	Packed in 100's per cardboard box
WEIGHT	1kg per box
MATERIAL	High Impact Styrene, (Clear) polypropylene
MANUFACTURING PROCESS	Injection Moulded

References:

BRE:	DIGEST 262
BRE:	Floors, Flooring
BSI:	BS5250
BSI:	BS5628
BSI:	BS8000
NHBC:	Good Practice guide
NHBC:	Standards 6.1

MANTHORPE BUILDING PRODUCTS LTD
MANTHORPE HOUSE
BRITAIN DRIVE
CODNOR GATE BUSINESS PARK
RIPLEY
DERBYSHIRE DE5 3ND

TEL: 01773 514 200
FAX: 01773 514 262
EMAIL: sales@manthorpe.co.uk
WEB: www.manthorpe.co.uk

DRN M.L.W.O

Date 01.08.03

DRG No

Issue

The company maintains a policy of continuous development of its product range and reserves the right to amend the specification without notice.

MBP 8057

A